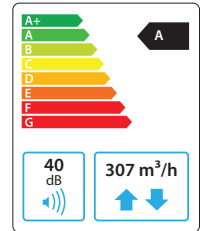


Domekt R 300 F C8

Maximal air flow, m ³ /h	307
Maximal air flow, l/s	85
Reference flow rate, m ³ /s	0,06
Reference pressure difference, Pa	50
SPI, W/(m ³ /h)	0,3
Thermal efficiency of heat recovery, %	82
Electric air heater capacity, kW / Δt, °C	1/13,6
Supply voltage, V	1~230
Maximal operating current HE, A	6,2
Electric power input of the fan drive at maximum flow rate, W	80
Electric power input of the fan drive at reference flow rate, W	32
Filters dimensions BxHxL, mm	237x230x46
Unit dimensions BxHxL, mm	630x280x1090
Maintenance space, mm	300
Unit weight, kg	56



Acoustic data

A-weighted sound power level L_{WA} , dB(A) at reference flow rate

Supply inlet	56
Supply outlet	60
Exhaust inlet	56
Exhaust outlet	60
Casing	40

A-weighted sound pressure level L_{PA} , dB(A)

10 m² normally isolated room, distance from casing – 3 m.

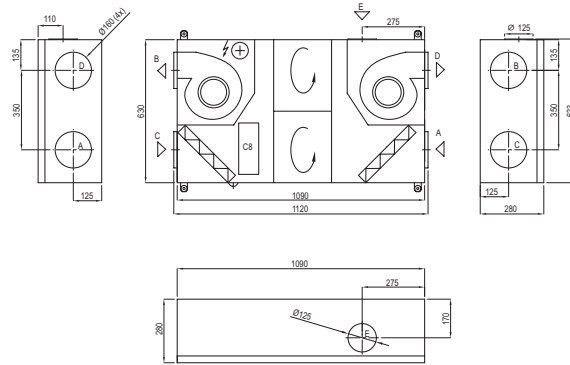
Surroundings	33
--------------	----

Temperature efficiency

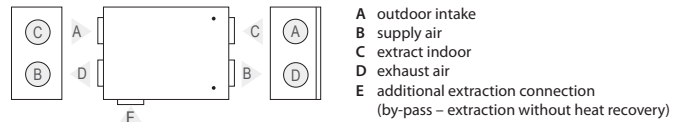
Outdoor temperature, °C	Winter					Summer		
	-23	-15	-10	-5	0	25	30	35
After heat exchanger, °C	14	15,4	16,3	17,2	18,1	22,5	23,4	24,3

indoor +22°C, 20 % RH

Shown as left (L1)

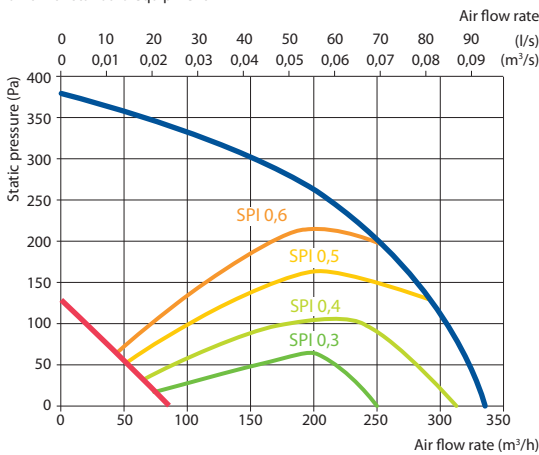


Shown as right (R2)

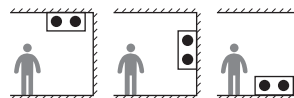


Performance

Unit with standard equipment



Mounting positions



Accessories

Closing damper	AGUJ-M-160+LF230/CM230
Silencer	A/D AGS-160-50-600-M B/C AGS-160-50-900-M
Water heater	DH-160
PPU	PPU-HW-3R-15-0,4-W2
2-way valve (heater)	VVP47.10-0,4

Water cooler	DCW-0,4-3
2-way valve (cooler)	VVP47.10-1,6
Outdoor grill	LD-160
Water heater-cooler	DHCW-160
DX heater-cooler	DCF-0,4-3
Heat pump unit	MOU-12HFN8+KA8140

